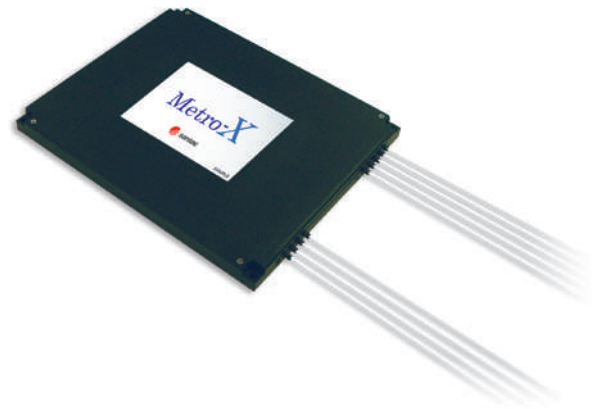


CWDM Mux/ Demux Filter

Metro X

The CWDM Mux / Demux module is based on dielectric thin-film technology designed for integration in low cost Metro and Access networks. These include applications such as fiber to the home, business or curb. The module enables 4 or 8 channels to be either combined (added) or separated (dropped). The filters operate with a channel spacing of 20nm corresponding to standard CWDM wavelengths. Santec's CWDM module has low insertion loss, high channel isolation, flat passband. Additional filters, to enable cascading of devices, or addition of 1310nm or other wavelength, can also be included in the module.



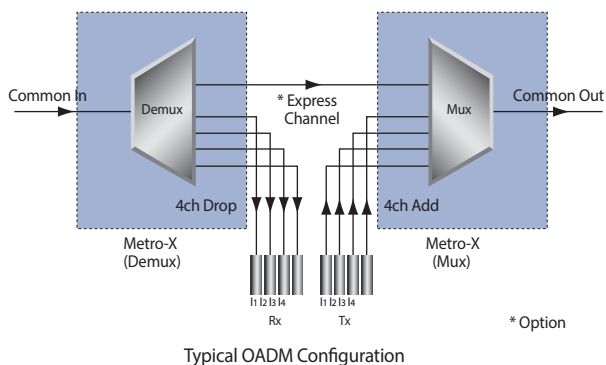
Features

- ▶ Wide Operation Range: 1290-1350nm, 1470- 1610nm
- ▶ Low Insertion Loss: (Mux and Demux)
- ▶ Wide Pass Band
- ▶ High Channel Isolation
- ▶ Operating Temperature: -10 to 70°C
- ▶ Long Term Reliability
- ▶ Telcordia-GR-1221 Qualified

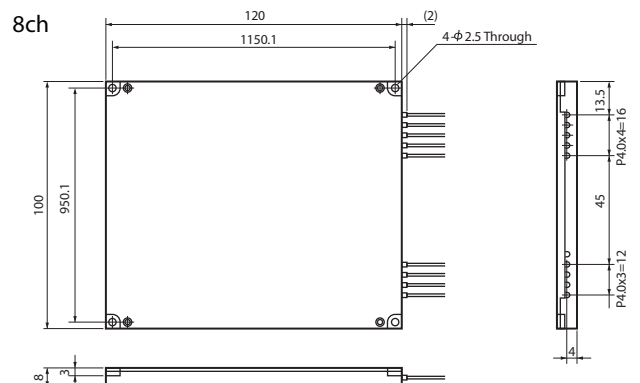
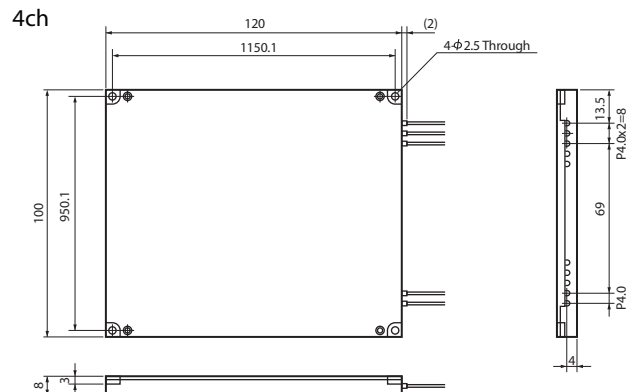
Applications

- ▶ Optical Add Drop Multiplexer
- ▶ Metro/Access Network system
- ▶ FTTH & FTTC
- ▶ CATV Applications

Configuration



Dimensions



Typical Performance

Specification	Units	Condition	Min.	Max.
Wavelength range	nm	20nm channel spacing	-	-
Operating temperature	°C	-	-10	70
Insertion loss (Mux)	dB	@lc6.5nm	-	1.4 (4ch)
			-	2.6 (8ch)
Link loss (Demux)	dB	@lc6.5nm	-	1.7 (4ch)
			-	2.9 (8ch)
Insertion loss (Mux and Demux)	dB	@lc6.5nm	-	2.5 (4ch)
			-	3.7 (8ch)
Flatness	dB	@lc6.5nm	-	0.4
Adjacent channel isolation (Demux)	dB	@lc13.5nm	30	-
Non-adjacent channel isolation (Demux)	dB	@lc33.5nm	45	-
Directivity	dB	-	45 (Mux) / 55 (DeMux)	
PDL	dB	@center wavelength: lc	-	0.2
Return loss	dB	-	50	-

*1 All parameters are specified over operating temperature range.

*2 Insertion loss per filter includes Ripple and PDL, without connectors.

*3 Please contact Santec to discuss specific performance requirements.

Wavelength

1291nm	1311nm	1331nm	1351nm
--------	--------	--------	--------

1471nm	1491nm	1511nm	1531nm	1551nm	1571nm	1591nm	1611nm
--------	--------	--------	--------	--------	--------	--------	--------

Ordering Code

Metro-X -15 - A - B - C - D/E

A=Channel

3=3ch, 4=4ch, 7=7ch, 8=8ch

B=Type

M=Mux, D=DeMux

1=Standard, 2=Upgradable, 5=Low Loss

C=Fiber Length

10=1.0m, 20=2.0m

D=Connector

00=No Connector, FS=FC-SPC, FA=FC-APC, SS=SC-SPC, SA=SC-APC

MU=MU-SPC, MJ=MUJ-SPC, LC=LC-SPC

E=Center Wavelength

(ex) 1571nm --->1571

www.santec.com/en/

2023© Santec AOC corporation santec reserves the right to make changes in equipment design, components or specifications without notice.



Santec Japan Corporation

5823 Ohkusa-Nenjozaka, Komaki, Aichi 485-0802, Japan Tel. +81-568-79-3536 Fax +81-568-79-1718

Santec USA Corporation

400 Kelby Street Suite 1501, Fort Lee, NJ 07024, USA Toll Free +1-800-726-8321(santec-1) Tel. +1-201-488-5505 Fax +1-201-488-7702

Santec Europe Ltd.

99 Park Drive Milton Park, Abingdon Oxfordshire, OX14 4RY, U.K. Tel. +44-20-3176-1550

Santec (Shanghai) Co., Ltd.

21F Room H, Hua Du Bldg., No.838 Zhangyang Road, Pudong District, Shanghai 200122 China Tel: +86-21-58361261, Fax: +86-21-58361263